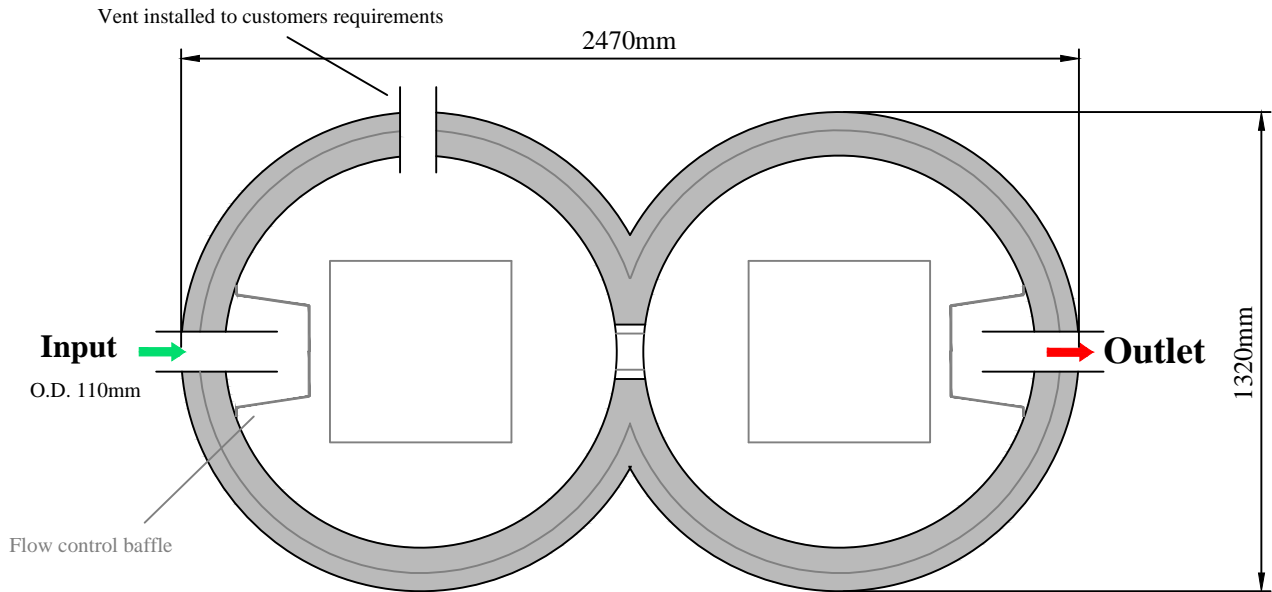
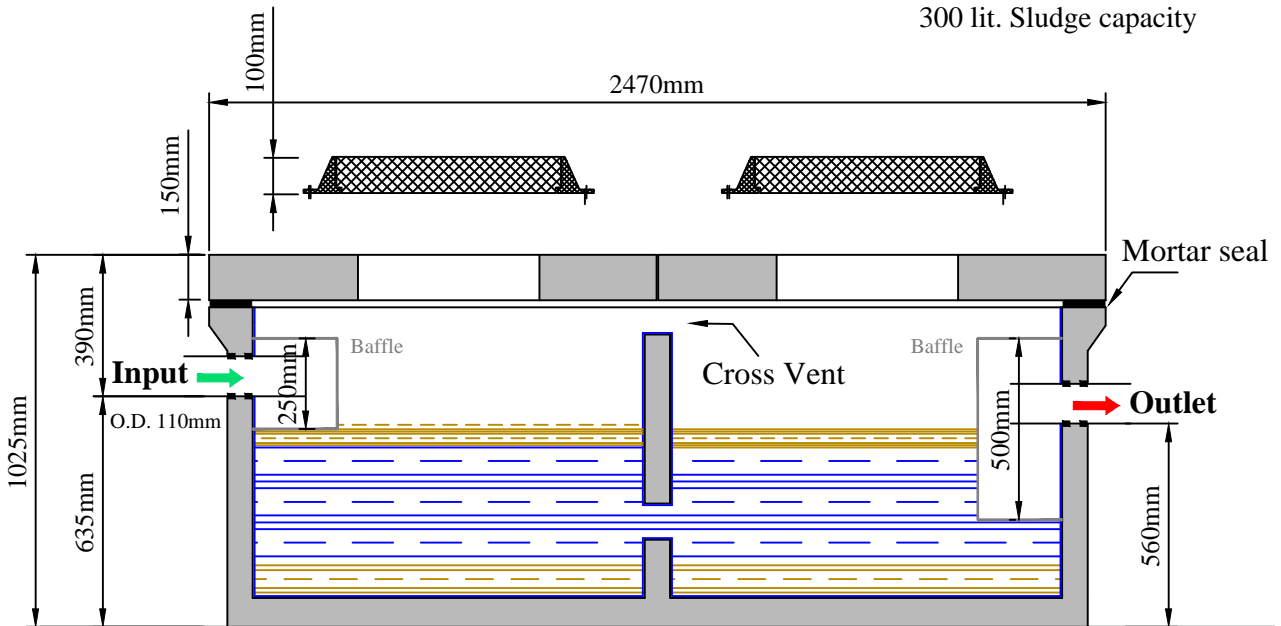


Fats & Grease Trap - Fig. 8 Tank (1,450 L) - IS EN 1825 Compliant



An anti-syphon vent is required for long run outflows

4 lit./sec nominal flow @ $\leq 60^{\circ}\text{C}$
 300 lit. Grease retention
 300 lit. Sludge capacity



A good firm, rock free, level base is required.



Clara Road, Tullamore, Co. Offaly, Ireland
 Tel: 057 9326000 info@molloyprecast.com
 Fax: 057 9326060 www.molloyprecast.com

Note: Observe all safety regulations in regard to excavation and lifting requirements. Never leave opening uncovered or unattended at any time.
 Note: Specify any specific requirements prior to ordering. All civil works by customer.
 Note: Do not scale from this drawing. Only for illustration purposes.

Tank Type: Fig. 8	Title: Grease Trap Fig. 8 NS 4
Tank Size: 2470mm x 1320mm	Nominal Size: 4 litres/sec
Height: 1025mm	Date: June 2012
Volume: 1450 liters	Drg. No.: FG-NS-4-00
Weight: 1500kg	Drawn By: MFC
(Tank Dim: $\pm 20\text{mm}$. Weight: $\pm 30\text{Kg}$.)	This drawing is©. All rights reserved.