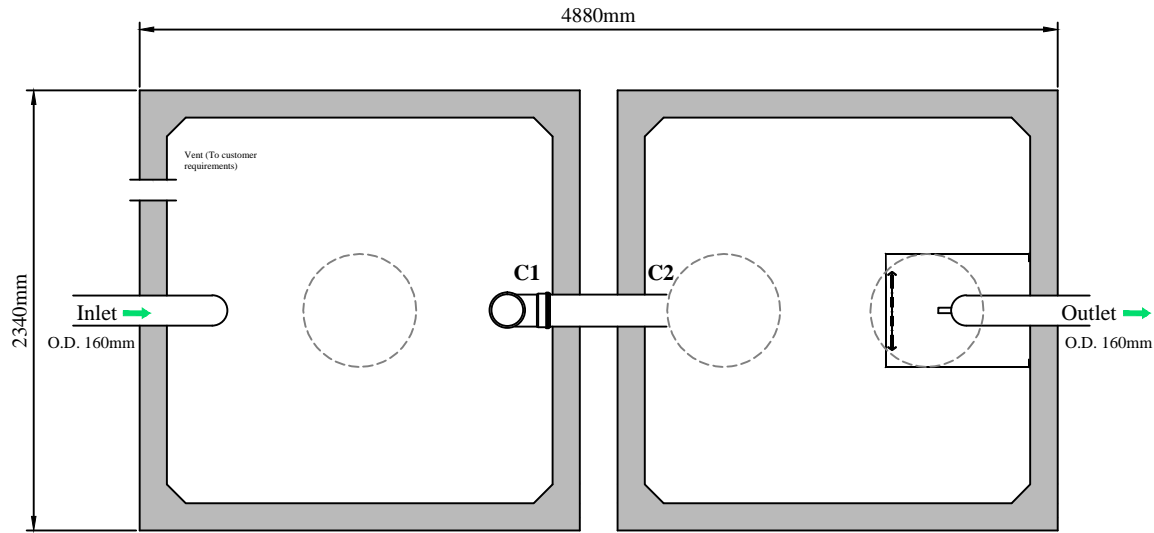


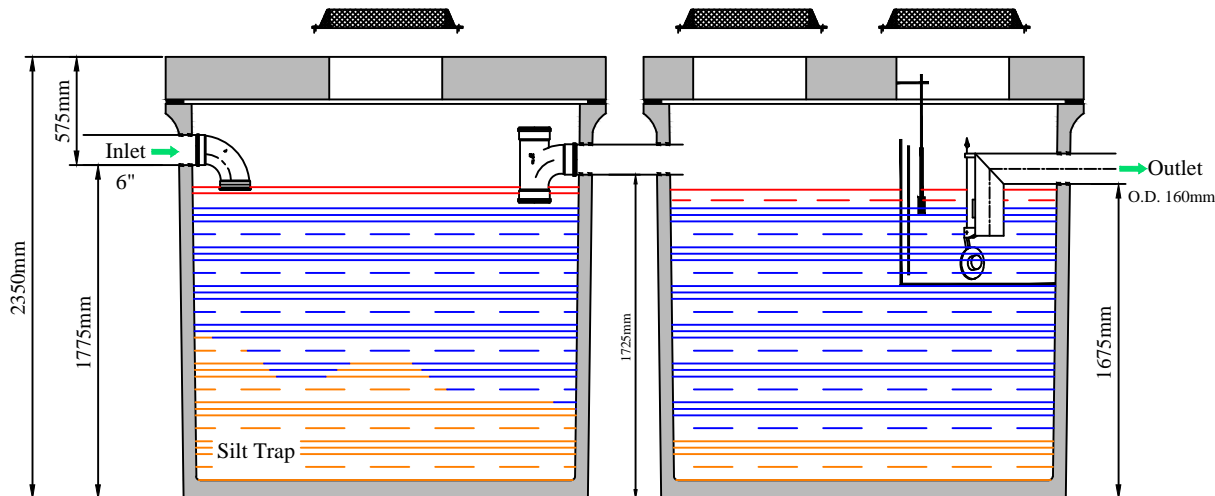
Full Retention Class 1 EN 858 FR-NS-10-CC Buderus Volume 16,000 lit



All the tanks must be placed on a perfectly level and firm suitable base.

Typical layout, variations as required per customer.

An anti-syphon vent is required for long run outflows



Notes:

This drawing is ©. All rights reserved.
Note: Observe all safety regulations in regard to excavation and lifting requirements. Never leave opening uncovered or unattended at any time.
Note: Specify any specific requirements prior to ordering. All civil works by customer.
Note: Do not scale from this drawing. Only for illustration purposes.

Tank Type: 2C Full Retention Interceptor
Tank Size: 4880mm x 2340mm
Height: 2350mm
Volume: 16000 liters
Weight: 4500kg (Each, Ex. Lid)
(Tank Dim: ± 20mm. Weight: ± 30Kg.)

10 l/s nominal flow
555m sq. coverage
6,000 lit. silt capacity
1,600 lit. emergency oil retention.



Clara Road, Tullamore, Co. Offaly, Ireland
 Tel: 057 9326000 info@molloyprecast.com
 Fax: 057 9326060 www.molloyprecast.com

Title: FR-NS-10-CC
 Full Retention Interceptor
Date: June 2012
Drng. No.: FR-NS-10-CC-00
Drawn By: SC