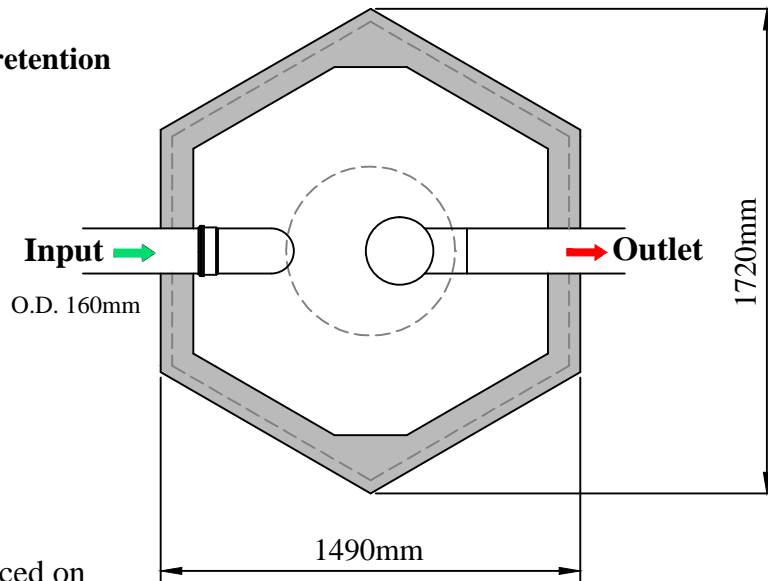
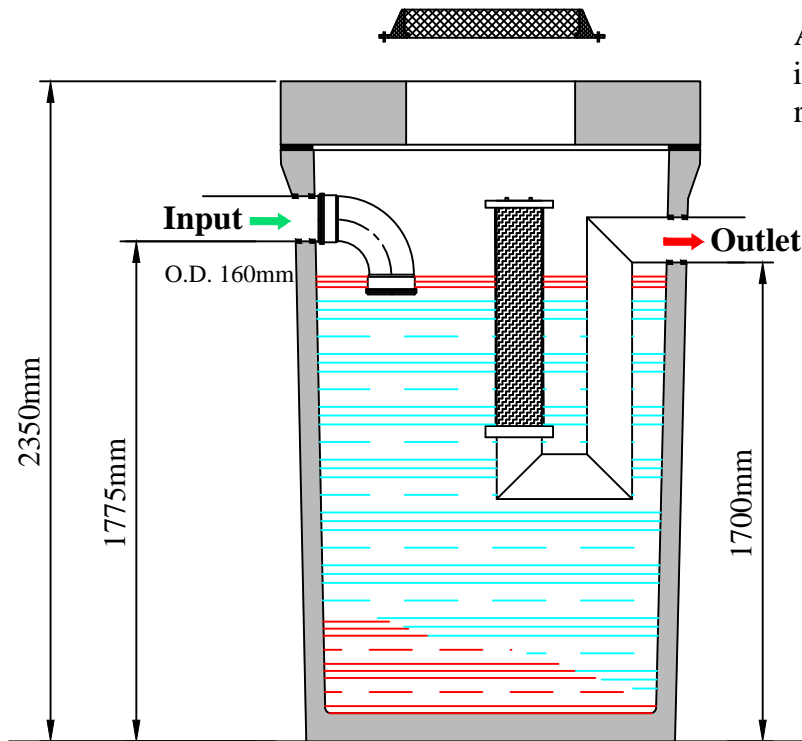


Full Retention Class 1 FR-NS-6-H hdp Volume 2,500 lit

6 l/s flow
333m sq. coverage
400 lit. emergency oil retention
800 lit. silt capacity



All the tanks must be placed on a perfectly level and firm suitable base.
 Typical layout, variations as required per customer.



An anti-syphon vent is required for long run outflows

Aswa
MOLLOY
 PRECAST
 Environmental Solutions
 Clara Road, Tullamore, Co. Offaly, Ireland
 Tel: 057 9326000 info@molloyprecast.com
 Fax: 057 9326060 www.molloyprecast.com

Note: Observe all safety regulations in regard to excavation and lifting requirements. Never leave opening uncovered or unattended at any time.
Note: Specify any specific requirements prior to ordering. All civil works by customer.
Note: Do not scale from this drawing. Only for illustration purposes.

Tank Type: H Full Retention Interceptor	Title: FR-NS-6-H
Tank Size: 1720mm x 1490mm	Full Retention Interceptor
Height: 2350mm	Date: June 2012
Volume: 2500 liters	Drg. No.: FR-NS-6-H-00 hdp
Weight: 1500kg (Ex. Lid)	Drawn By: SC
(Tank Dim: ± 20mm. Weight: ± 30Kg.)	This drawing is ©. All rights reserved.