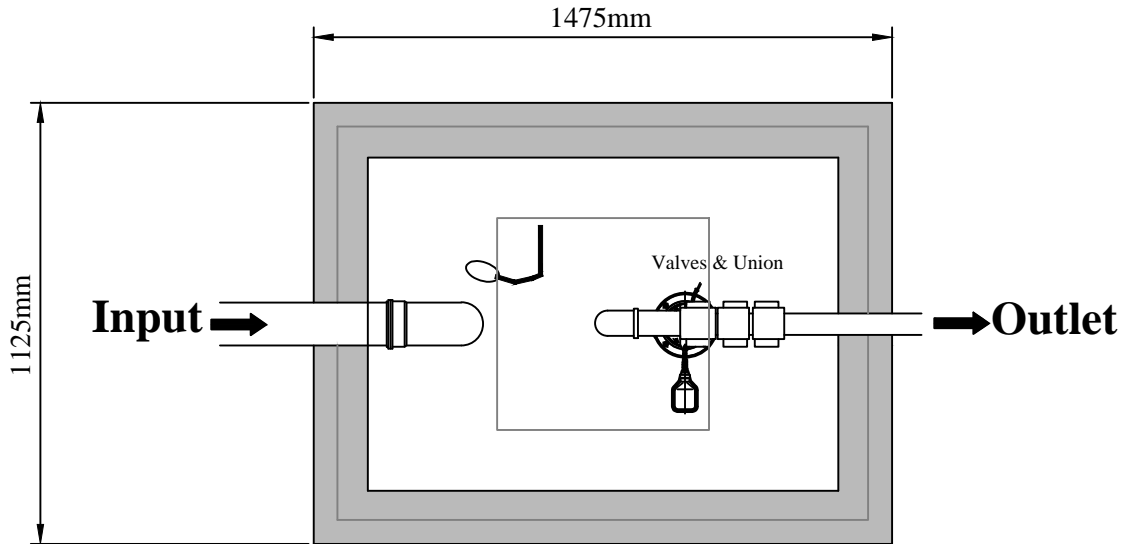
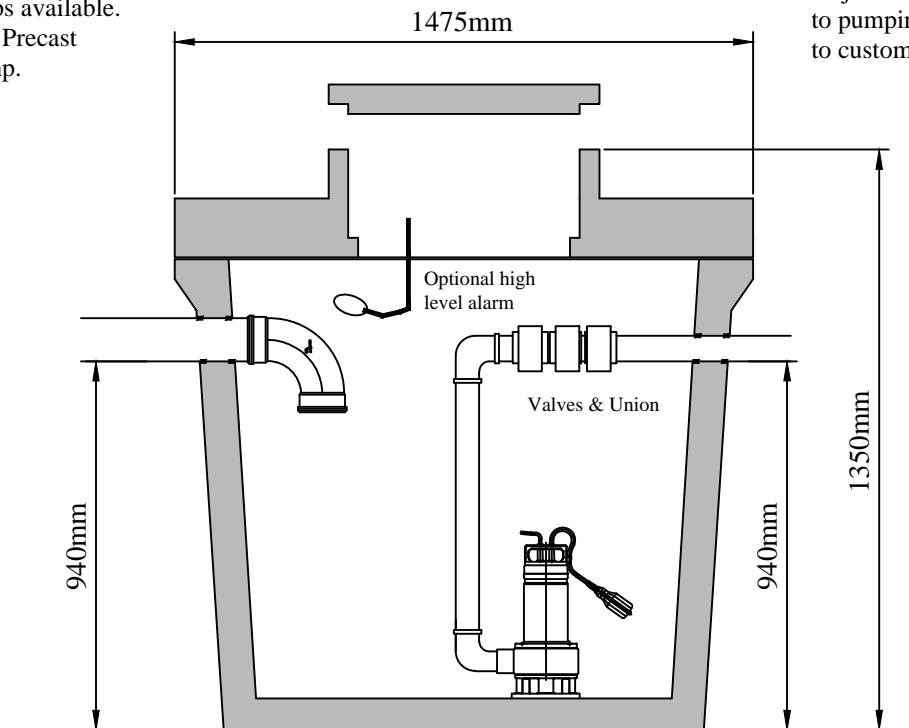


Pumping Station - J Tank (850 L)



Variety of pumps available.
Contact Molloy Precast
for suitable pump.



Adjustments can be made
to pumping station according to
customer requirements.

A good firm, rock free, level base is required.



Clara Road, Tullamore, Co. Offaly, Ireland
Tel: 057 9326000 info@molloyprecast.com
Fax: 057 9326060 www.molloyprecast.com

Note: Observe all safety regulations in regard to excavation and lifting requirements. Never leave opening uncovered or unattended at any time.
Note: Specify any specific requirements prior to ordering. All civil works by customer.
Note: Do not scale from this drawing. Only for illustration purposes.

Tank Type: J	Title: Pumping Station - J Tank
Tank Size: 1125mm x 1475mm)	Pump Capacity: Contact Molloy Precast
Height: 1350mm	Date: June 2012
Volume: 850 liters	Drng. No.: PS-J-00
Weight: 750 kg	Drawn By: MFC
(Tank Dim: ± 20mm. Weight: ± 30Kg.)	This drawing is ©. All rights reserved.