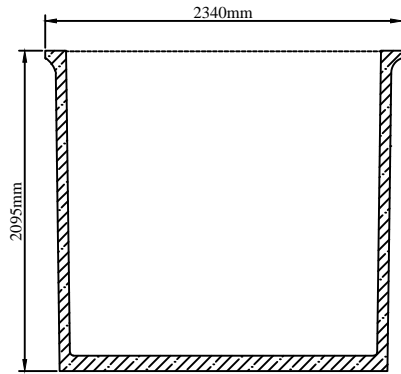


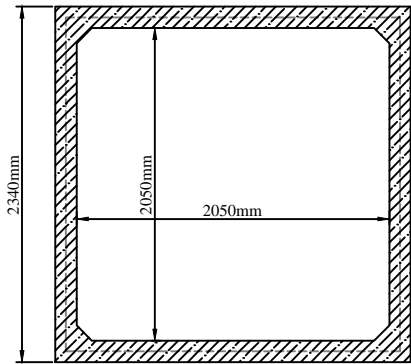
C Tank



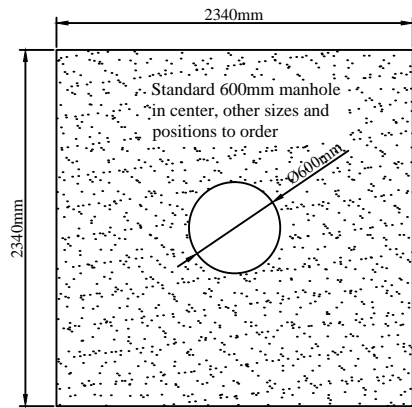
Tank Vertical Section



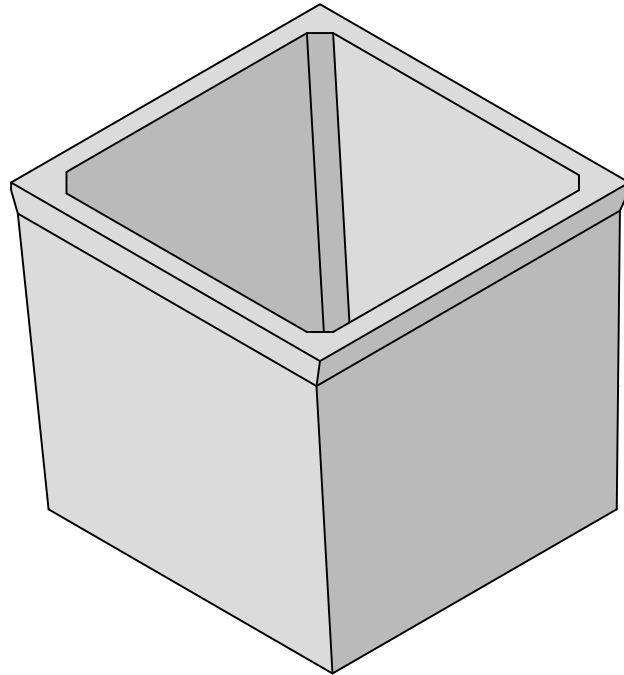
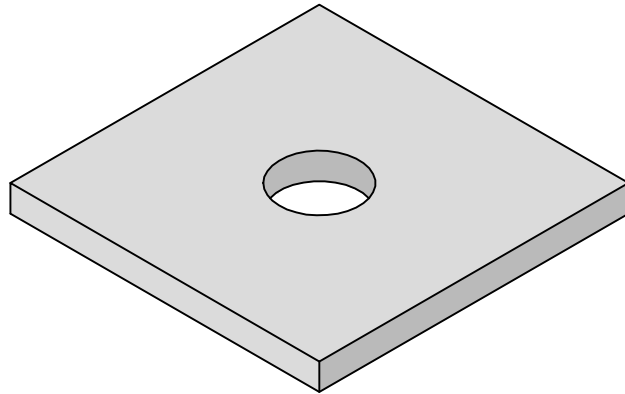
Lid Section



Tank Top Plan



Lid Top Plan



Notes:

This drawing is ©. All rights reserved.

Note: Observe all safety regulations in regard to excavation and lifting requirements. Never leave opening uncovered or unattended at any time.

Note: Specify any specific requirements prior to ordering. All civil works by customer.

Note: Do not scale from this drawing. Only for illustration purposes.

Tank Type: C Tank

Tank Size: 2340mm x 2340mm

Height: 2095mm (Ex. Lid)

Volume: 8000 liters

Weight: 4750kg (Ex. Lid)

(Tank Dim: ± 20mm. Weight: ± 30Kg.)



Clara Road, Tullamore, Co. Offaly, Ireland
 Tel: 057 9326000 info@molloyprecast.com
 Fax: 057 9326060 www.molloyprecast.com

Title: C Tank
Date: June 2012
Drng. No.: ISO-C-00
Drawn By: SC