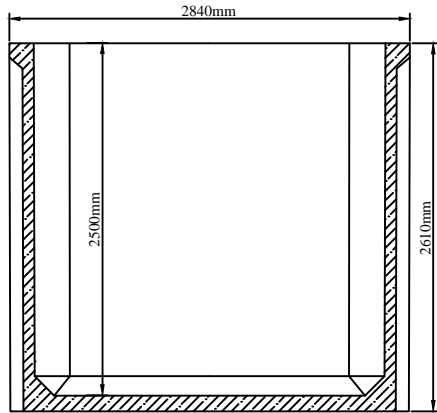


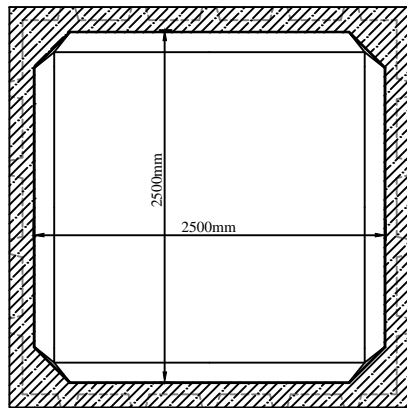
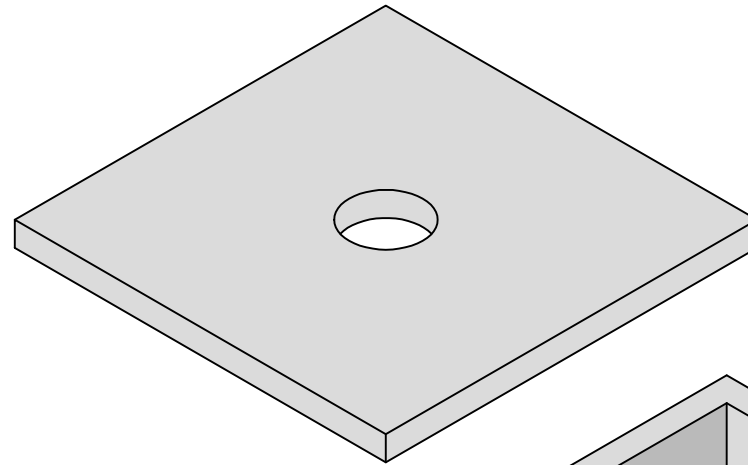
D Tank



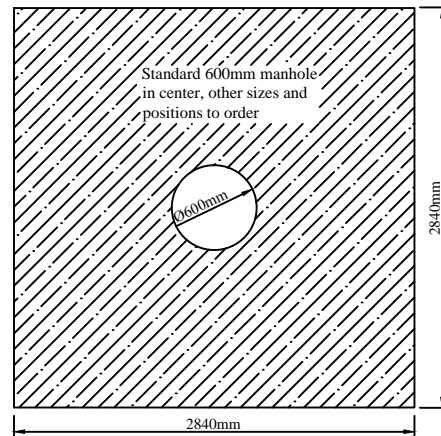
Tank Vertical Section



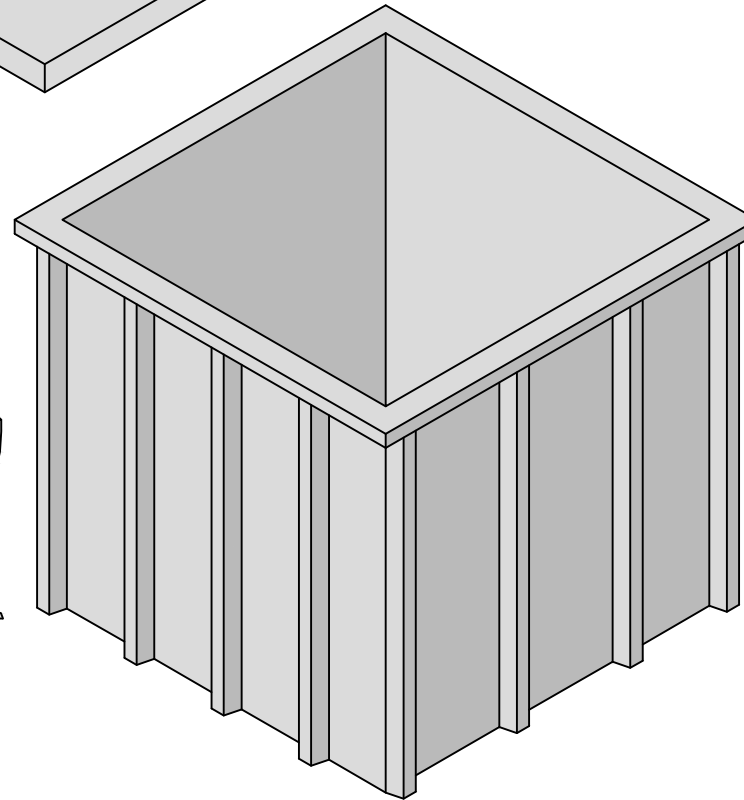
Lid Section



Tank Top Plan



Lid Top Plan



Notes:

This drawing is ©. All rights reserved.

Note: Observe all safety regulations in regard to excavation and lifting requirements. Never leave opening uncovered or unattended at any time.

Note: Specify any specific requirements prior to ordering. All civil works by customer.

Note: Do not scale from this drawing. Only for illustration purposes.

Tank Type: D Tank

Tank Size: 2840mm x 2840mm

Height: 2610mm (Ex. Lid)

Volume: 15000 liters

Weight: 10000kg (Ex. Lid)

(Tank Dim: ± 100mm. Weight: ± 300Kg.)



Clara Road, Tullamore, Co. Offaly, Ireland
 Tel: 057 9326000 info@molloyprecast.com
 Fax: 057 9326060 www.molloyprecast.com

Title: D Tank ISO

Date: June 2012

Drg. No.: ISO-D-00

Drawn By: SC