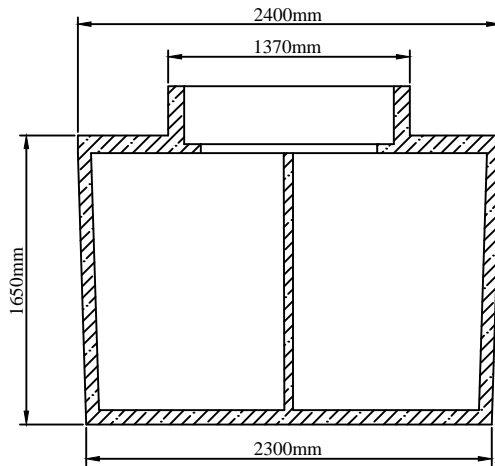
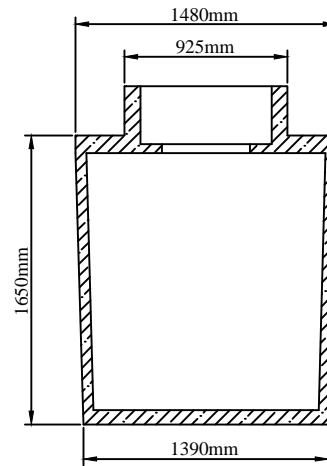


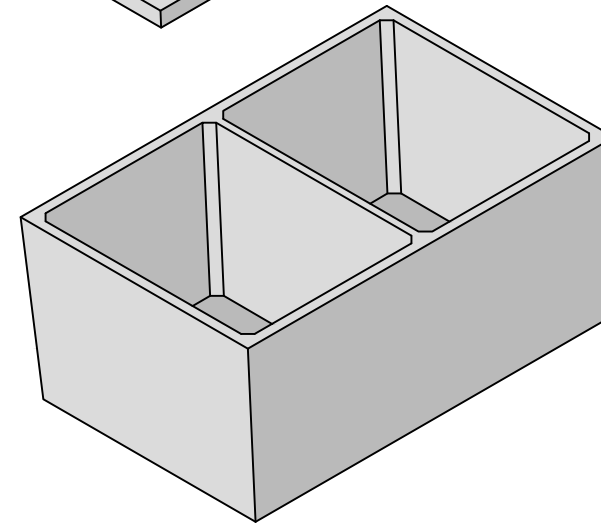
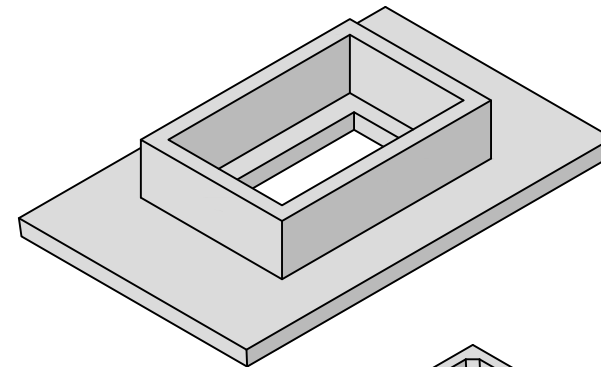
G Tank



Tank Vertical Section
(Through Section A-A)



Tank Vertical Section
(Through Section B-B)



Sec B-B

2400mm

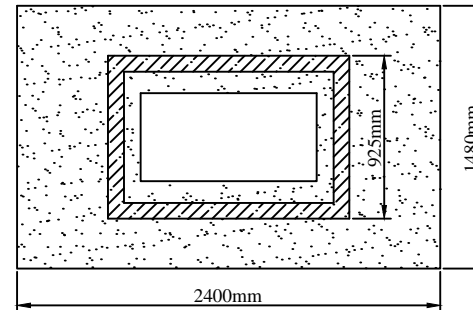
Sec A-A

Sec A-A

1480mm

Tank Top Plan

Sec B-B



Lid Top Plan

Notes:

This drawing is ©. All rights reserved.

Note: Observe all safety regulations in regard to excavation and lifting requirements. Never leave opening uncovered or unattended at any time.

Note: Specify any specific requirements prior to ordering. All civil works by customer.

Note: Do not scale from this drawing. Only for illustration purposes.

Tank Type: G Tank

Tank Size: 2400mm x 1480mm

Height: 1550mm (Ex. Lid)

Volume: 4100 liters

Weight: 3180kg (Ex. Lid)

(Tank Dim: ± 20mm. Weight: ± 30Kg.)



Clara Road, Tullamore, Co. Offaly, Ireland
Tel: 057 9326000 info@molloyprecast.com
Fax: 057 9326060 www.molloyprecast.com

Title: G Tank ISO

Date: June 2012

Drg. No.: ISO-G-00

Drawn By: SC