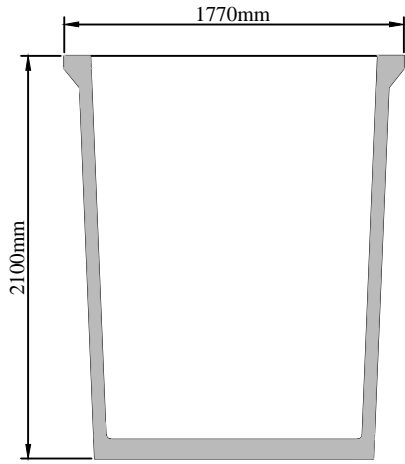
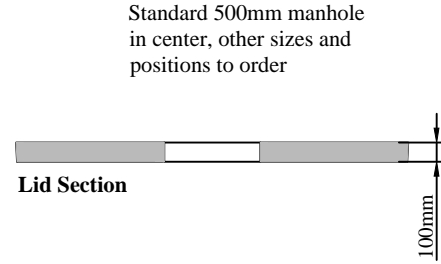


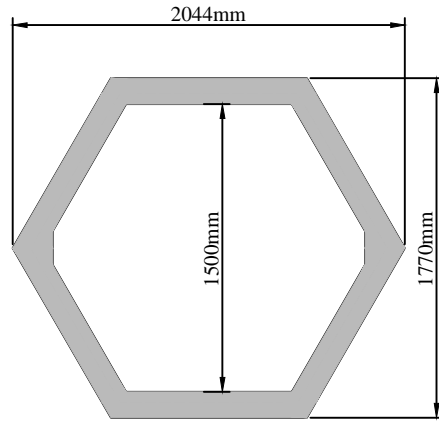
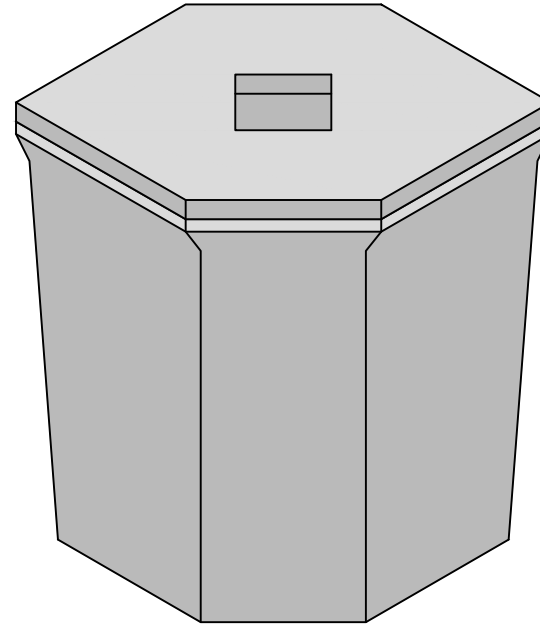
## H 3.5 Tank



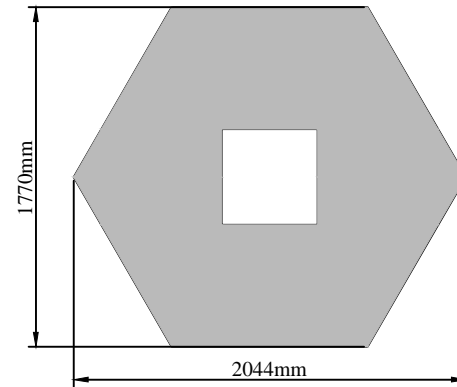
**Tank Vertical Section**



**Lid Section**



**Tank Top Plan**



**Lid Top Plan**

**Notes:**

This drawing is ©. All rights reserved.  
**Note:** Observe all safety regulations in regard to excavation and lifting requirements. Never leave opening uncovered or unattended at any time.  
**Note:** Specify any specific requirements prior to ordering. All civil works by customer.  
**Note:** Do not scale from this drawing. Only for illustration purposes.

- Tank Type:** H 3.5 Tank ISO
- Tank Size:** 2044mm x 1770mm
- Height:** 2100mm (Ex. Lid)
- Volume:** 3500 liters
- Weight:** 1800kg (Ex. Lid)
- (Tank Dim: ± 20mm. Weight: ± 30Kg.)

**MOLLOY**  
 PRECAST  
 Environmental Solutions

Clara Road, Tullamore, Co. Offaly, Ireland  
 Tel: 057 9326000 info@molloyprecast.com  
 Fax: 057 9326060 www.molloyprecast.com

<b>Title:</b> H 3.5 Tank ISO
<b>Date:</b> June 2012
<b>Drg. No.:</b> ISO-H3.5-00
<b>Drawn By:</b> SC