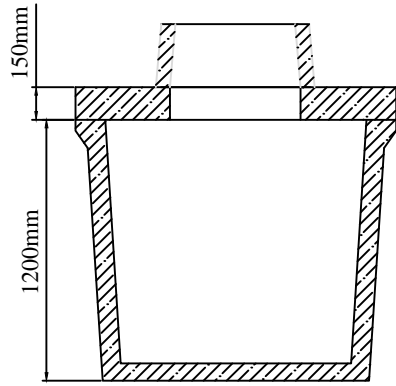
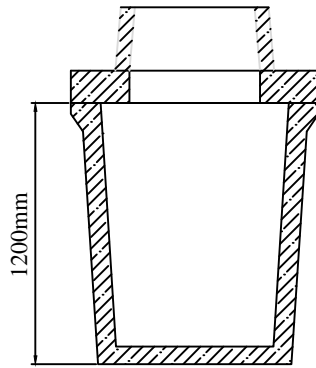


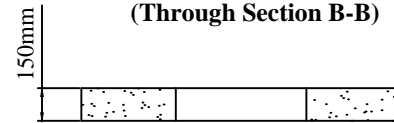
# J Tank



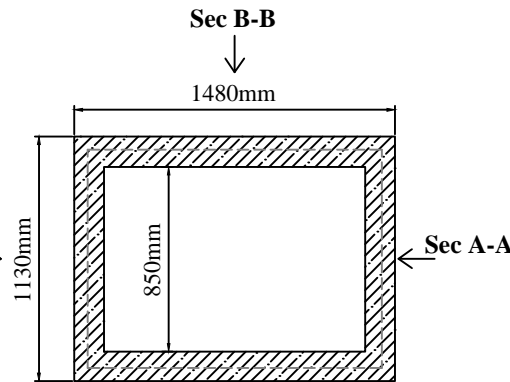
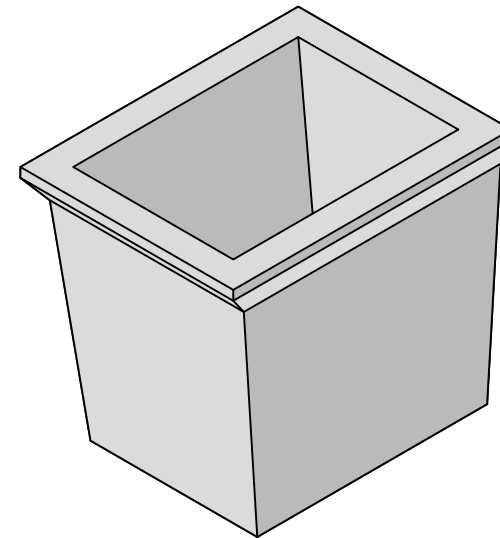
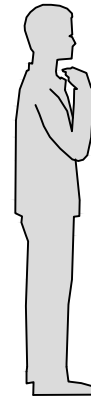
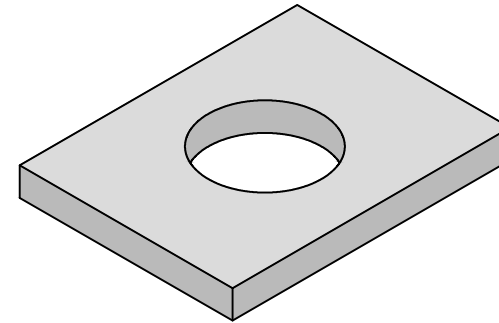
Tank Vertical Section  
(Through Section A-A)



Tank Vertical Section  
(Through Section B-B)

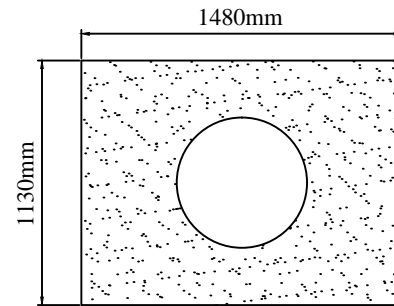


Lid Section



Tank Top Plan

Sec B-B



Lid Top Plan

Standard 600mm manhole  
in center, other sizes and  
positions to order

## Notes:

This drawing is ©. All rights reserved.

**Note:** Observe all safety regulations in regard to excavation and lifting requirements. Never leave opening uncovered or unattended at any time.

**Note:** Specify any specific requirements prior to ordering. All civil works by customer.

**Note:** Do not scale from this drawing. Only for illustration purposes.

**Tank Type:** J Tank ISO

**Tank Size:** 1480mm x 1130mm

**Height:** 1200mm (Ex. Lid)

**Volume:** 850 liters

**Weight:** 750kg (Ex. Lid)

(Tank Dim: ± 20mm. Weight: ± 30Kg.)



Clara Road, Tullamore, Co. Offaly, Ireland  
Tel: 057 9326000 info@molloyprecast.com  
Fax: 057 9326060 www.molloyprecast.com

**Title:** J Tank ISO

**Date:** June 2012

**Drg. No.:** ISO-J-00

**Drawn By:** SC