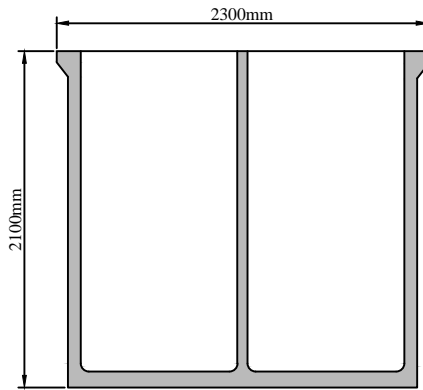
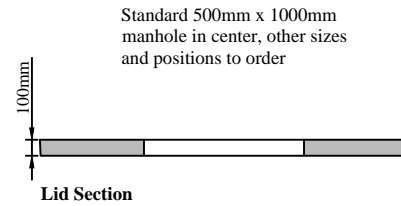


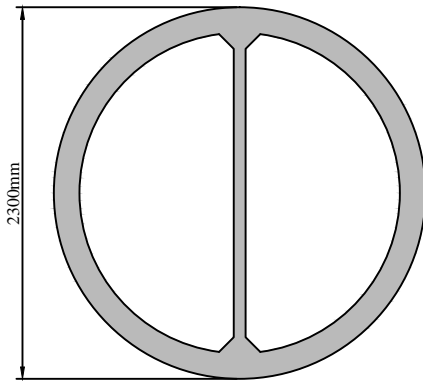
# S Tank



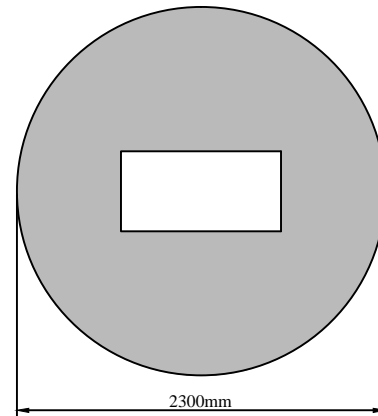
**Tank Vertical Section**



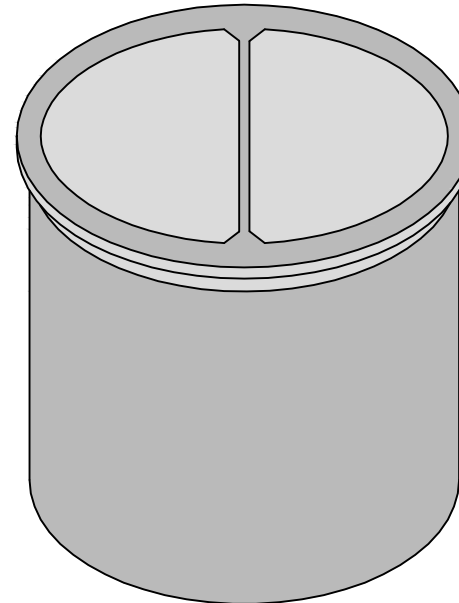
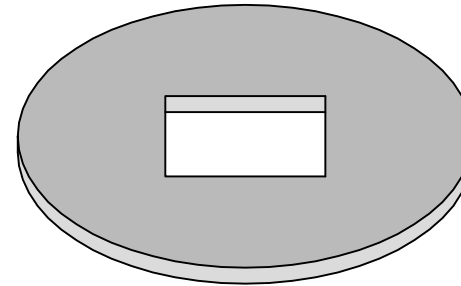
**Lid Section**



**Tank Top Plan**



**Lid Top Plan**



## **Notes:**

This drawing is ©. All rights reserved.

**Note:** Observe all safety regulations in regard to excavation and lifting requirements. Never leave opening uncovered or unattended at any time.

**Note:** Specify any specific requirements prior to ordering. All civil works by customer.

**Note:** Do not scale from this drawing. Only for illustration purposes.

**Tank Type:** S Tank

**Tank Size:** 2300 Ø

**Height:** 2100mm (Ex. Lid)

**Volume:** 6200 liters

**Weight:** 4200kg (Ex. Lid)

(Tank Dim: ± 20mm. Weight: ± 30Kg.)



Clara Road, Tullamore, Co. Offaly, Ireland  
Tel: 057 9326000 info@molloyprecast.com  
Fax: 057 9326060 www.molloyprecast.com

**Title:** S Tank ISO

**Date:** June 2012

**Drg. No.:** ISO-S-00

**Drawn By:** SC