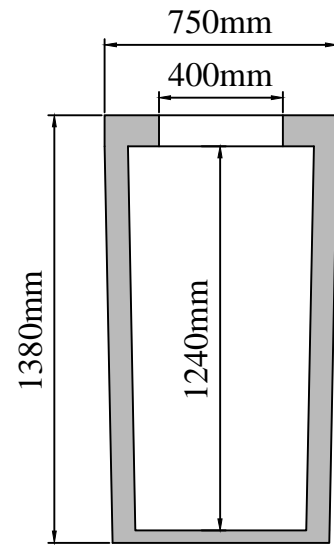
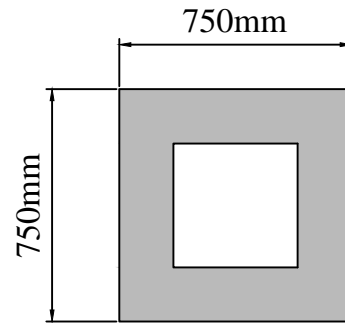


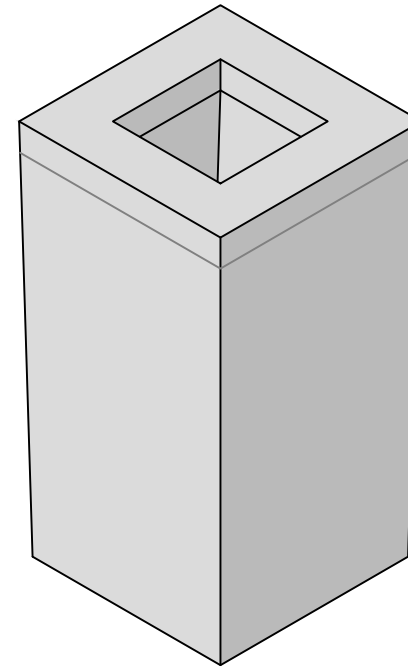
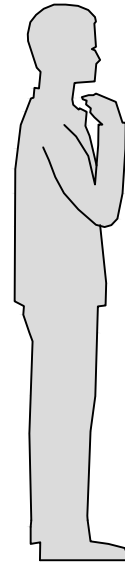
V Tank



Tank Vertical Section



Tank Top Plan



Notes:

This drawing is ©. All rights reserved.

Note: Observe all safety regulations in regard to excavation and lifting requirements. Never leave opening uncovered or unattended at any time.

Note: Specify any specific requirements prior to ordering. All civil works by customer.

Note: Do not scale from this drawing. Only for illustration purposes.

Tank Type: V Tank

Tank Size: 750mm x 750mm

Height: 1380mm (Ex. Lid)

Volume: 400 liters

Weight: 650kg (Ex. Lid)

(Tank Dim: ± 10mm. Weight: ± 5Kg.)



Clara Road, Tullamore, Co. Offaly, Ireland
Tel: 057 9326000 info@molloyprecast.com
Fax: 057 9326060 www.molloyprecast.com

Title: V Tank ISO

Date: June 2012

Drg. No.: ISO-V-00

Drawn By: SC